



Enerpac's rail maintenance equipment provides work site solutions for stressing, lifting and surfacing



Mechanical Track Jacks

Page 3



POW'R-CLAW Hydraulic Track Jacks

Pages 4-5



Rail Pullers

(Hydraulic and Mechanical)

Pages 6-8



Wheel Truck Jacks

Page 9



POW'R-RISER® Lifting Jacks

Pages 10-11

Accessories

Page 11

Mechanical Track Jacks

▼ Shown: 02025 (A8), 02000 (A5) and 02075 (A17)



- Three lightweight, easy to carry models fit all track applications
- Solid cast base and large grooved toe for stable jacking
- Heat-treated, forged components for extra strength and longer life
- Rust-proof tension spring maintains full pawl engagement

A Series

Rated Capacity per Jack:

15 tons

Stroke:

5.25-13 inch



Square Drive Sockets

All models feature square drive sockets for use with 1½ inch square by 5-foot-5 inch standard railroad lining bars.



Quick-trip Mechanism

The Quick-trip mechanism allows the track jack to be instantly tripped while under load. Lower the load effortlessly by engaging the lifting pawl in the retaining pawl and complete one down-stroke with the lining bar. Track jacks are designed for use with standard lining bars.

▼ Mechanical Track Jacks provide fast and dependable lifting.



Capacity (ton)	Stroke (in)	Model No.	Description	Minimum Height		Base Area (in)	Max. Handle Effort/Ton (lbs)	Weight (lbs)
				Toe (in)	Cap (in)			
15	5.25	02000	Mechanical Track Jack, A5	2.00	11.00	2.50 x 3.75	33	30
15	7.75	02025	Mechanical Track Jack, A8	2.00	15.62	2.50 x 3.75	33	37
15	13.00	02075	Mechanical Track Jack, A17	2.00	22.62	2.50 x 3.75	33	50

▼ Shown: TJ109LS, TJ109S, TJ109B



POW'R-CLAW Track Jacks Provide Fast, Safe Lifting

- Exclusive overload protection from load shifts
- Solid cast base provides more surface contact area, and a large grooved toe provides stable jacking
- Inverted hard chrome piston design keeps water and dirt out, extending the life of the jack
- Low handle effort allows one-man operation for lifting heavy loads
- Anti-kickback design reduces risk of injury to operator if load is inadvertently released
- All models can lift from toe or cap, ideal for spreading and jacking applications



Ideal for tough lifting applications; such as frogs, turn-outs, diamonds and concrete tie sections.



The **TJ109B** Bridge and Trestle Jack easily fits between double set ties. The short lever bar and low handle effort greatly reduce the risks associated with jacking from bridges and trestles. Swivel load cap allows the use of chain.

▼ The reservoir design on Model TJ109LS allows vertical or horizontal operation for use as lifter or spreader.



Inverted Design

Keeps water and dirt out of the jack, increasing performance and life cycle. Allows lifting from toe or cap.



Versatile Handle Design

Model **TJ109LS** features a pistol-grip handle for balanced carrying and fast setup.

POW'R-CLAW Hydraulic Track Jacks

▼ Model TJ109S is shown lifting a rail maintenance car.



TJ Series

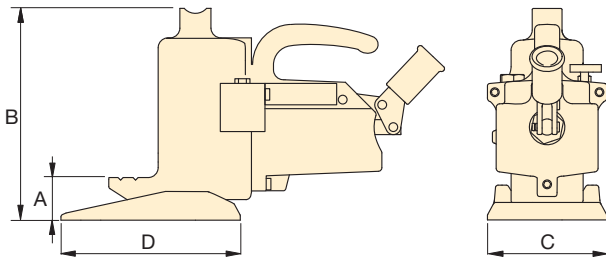


Rated Capacity per Jack:

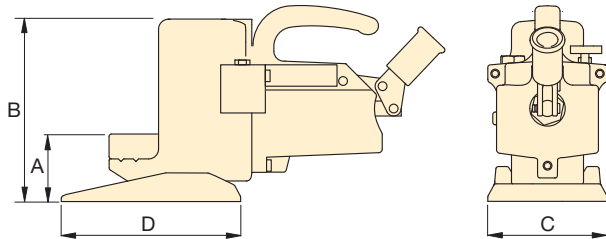
10 tons

Stroke:

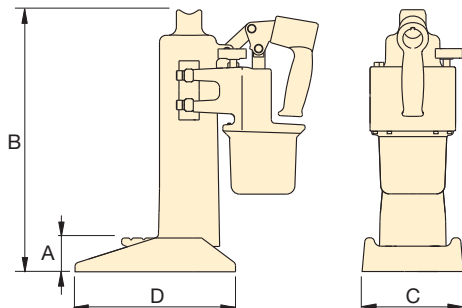
5-9 inches



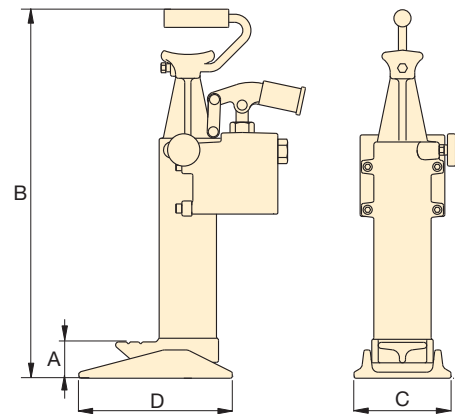
TJ105A



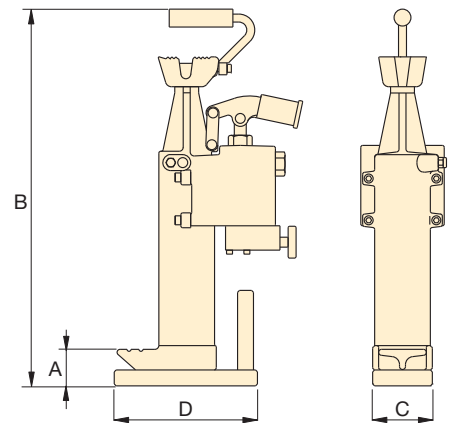
TJ105AX



TJ109LS



TJ109S



TJ109B

Capacity (ton)	Stroke (in)	Model No.	Minimum Height		Base Area		Maximum Handle Effort (lbs)	Weight (lbs)
			Toe A (in)	Cap B (in)	C (in)	D (in)		
10	5.00	TJ105A	2.00	11.10	6.00	9.00	90	37
10	5.00	TJ105AX	3.30	9.10	6.00	9.00	90	39
10	9.00	TJ109LS	2.00	15.50	6.00	9.50	90	41
10	9.00	TJ109S	2.25	20.30	6.00	9.00	90	58
10	9.00	TJ109B	2.25	20.30	3.75	9.00	90	54

▼ Shown: RP120BP, RPG120 Hydraulic Rail Pullers



RP Series

Rated Pulling Capacity:

120 tons

Stroke:

6.5-15.5 inches



RPG Puller Brake Kit

Minimizes movement of the RPG120 rail puller in the event of shock load due to rail failure. Optional accessory

for the RP120BP.

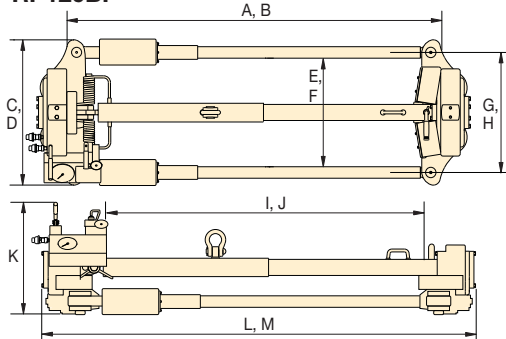
(A partial Kit is shown.)

- Versatile design allows for quick and easy setup for stressing rail
- Compact, alloy steel design requires no disassembly for transport or storage
- Swing Arm clamps the bracket and eliminates the need for separate jaws and wedges
- Detachable center beam, detents for opening and closing, and one handle operator controls are standard on the RPG120
- Center beam swings up on RP120BP
- Operator controls are positioned safely away from work area

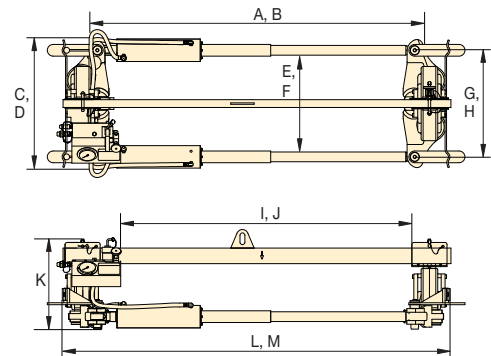
▼ The new Enerpac RP120BP and RPG120 Rail Pullers are designed to handle all thermite welding equipment, hydraulic rail grinders and weld shears.



RP120BP



RPG120



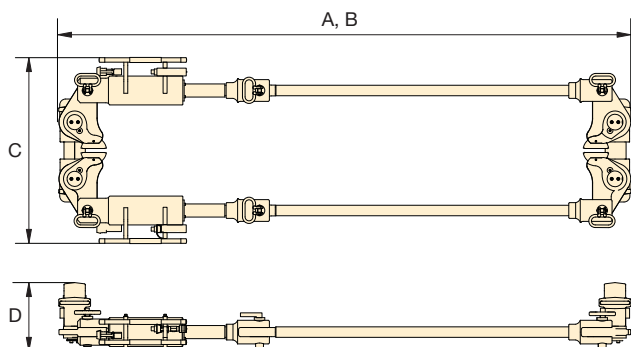
- A = Open
- B = Clamped
- C = Closed
- D = Open
- E = Clamped
- F = Open
- G = Clamped
- H = Open
- I = Clamped maximum
- J = Clamped minimum
- K = Height
- L = Clamp maximum
- M = Open minimum

Capacity (ton)	Stroke (in)	Model No.	A (in)	B (in)	C (in)	D (in)	E (in)	F (in)	G (in)	H (in)	I (in)	J (in)	K (in)	L (in)	M (in)	Weight (lbs)
120	6.5	RP120BP	74.5	83.5	33.0	35.0	24.0	26.0	26.5	28.5	71.0	64.6	23.0	98.0	89.0	1160
120	15.5	RPG120	79.4	88.4	33.0	35.0	24.0	26.0	26.5	28.5	78.1	72.1	25.5	105.4	99.4	1130

▼ Shown: RP70 Hydraulic Rail Pullers



- Used in obstructionless or over the rail applications for stressing rail
- Provides 70 tons of pulling force, 35 tons of push force or holds the rail in neutral length during the welding process
- Ample clearance for all weld equipment, hydraulic weld shears, and rail grinders
- Operated by any 8860 psi (611 bar) power source
- Compact, lightweight pin/clevis design for easy transport and setup in remote applications
- Swing Arm clamps the bracket and eliminates the need for separate jaws and wedges



A = Closed length
B = Extended length

Capacity		Stroke (in)	Model No.	A (in)	B (in)	C (in)	D (in)	Weight (lbs)
Pull (ton)	Push (ton)							
70	35	8.0	RP70	109.8	117.0	35.4	12.8	547

RP Series

Rated Pulling/Pushing Capacity:
70/35 tons

Stroke:
8.00 inches



The Enerpac Rail Puller is designed to adjust the gap between rail ends for rail stressing, rail welding, repairing rail failures and servicing insulators.



Portability

Lightweight, easy to assemble components simplify transport and handling. Ideal for remote locations.



Power Pump

The recommended power source for the RP70 is the Enerpac PGHM5042E, delivering 8860 psi (611 bar) for extreme force rail stressing.

▼ RP70 Rail Puller in an obstructionless pull.



▼ Shown: Mechanical Rail Pullers



550 Series

Rated Capacity:
30 tons



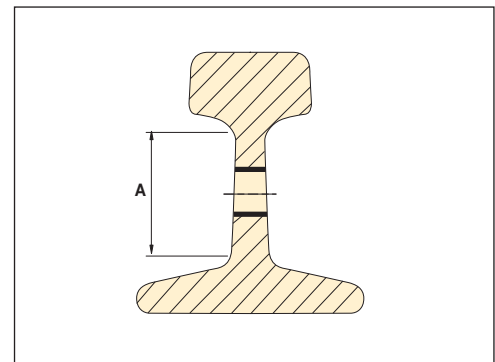
Stud Kit

Adapts mechanical rail pullers/expanders to various rail drillings. Kits include four square nuts, two bolts, two stud pins, and two studs. Ordered separately, see numbers below.

- Easily operated by one person
- Square socket design uses standard railroad lining bar*
- Alloy steel, heat treated U-bar is designed to fit rail web and be obstructionless when the lever socket is downward to allow for active service

*1.5" (38,1 mm) square X 66" (1676,4 mm) long

▼ Enerpac mechanical rail pullers/ expanders fit all standard rail where dimension "A" is 3.25" (82.5 mm) or larger.



Capacity (ton)	Model No.	Description	Travel (in)	Stud Diameter (in)	Optional Stud Kit No.	Weight (lbs)	Handle Effort / Ton (lbs)
266,9 (30)	02326	Mechanical Rail Puller, 1-inch, 550A	4.5-8	1.00	18602	87	7.5
	02327	Mechanical Rail Puller, 1.12-inch, 550A		1.12	18603		

*1.5" (38,1 mm) square X 66" (1676,4 mm) long

WJ-Series, Hydraulic Wheel Truck Jacks

▼ Shown: **WJ60**



WJ Series

Rated Capacity per Jack:

60 tons

Stroke:

5.50 & 16.20 inches

- Used for track side emergency rail car repair
- Uses existing outboard low pressure hydraulics, delivering 4250 psi for 60 ton lifting
- Long handles swing down for easy transport and jack positioning
- SUP'R-STACK™ extensions for lifting every style of car



Extensions

SUP'R-STACK™ extensions for lifting every style of car.

Page: **11**

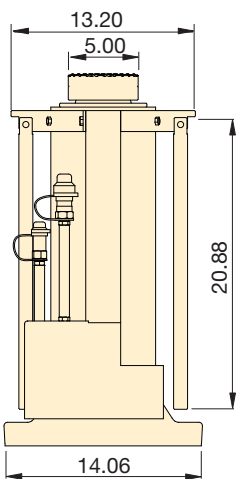


Stacking Extensions

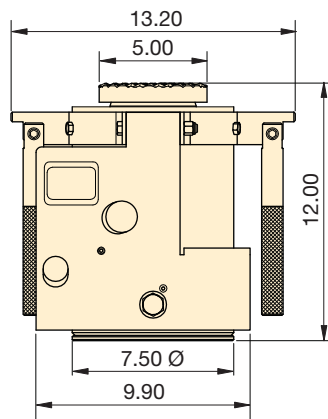
Any two extensions may be stacked for railcar lifting.

For loads over 60 tons or strokes over 14" (355,6 mm) only one extension and one spacer can be used.

WJ60



WJ60S



Dimensions shown in inches.

Capacity	Stroke	Model No.	Minimum Height	Extended Height	Effective Area	Oil Capacity Required	Maximum Operating Pressure at Capacity	Weight
kN (ton)	(in)		(in)	(in)	(in ²)	(in ³)	(psi)	(lbs)
60	16.17	WJ60	25.35	41.52	28.27	202	4,250	185
60	5.50	WJ60S	12.00	17.50	28.27	69	4,250	88

▼ Shown: PRASA10027L and accessory Locking U-Rings



Safe, Efficient, Mobile Load Lifting

- 60, 100, 150 and 200-ton capacities with pneumatic or electric pumps for the toughest jobs
- 4" ground clearance for transport over rail and rough terrain
- Three position handle provides easy tilt back and transport
- Complies with ASME/ANSI B30.1 specifications
- Easy to change external filter minimizes down time
- Rugged, fully enclosed 24" wide frame with no exposed fittings or hoses
- SUP-R-STACK™ Extension System allows lifting at all heights without blocking



Standard 12' pendant cord for air driven units with pneumatic valves and 20' pendant cord for electric driven units keeps operator away from the load.

▼ Versatility for rail maintenance. One jack for all cars from Intermodal to High Hopper with 28 heights in between.



Capacity	Stroke	Electric Pump Model Number	Weight
(ton)	(in)	(115 VAC)	(lbs)
60	14	PREMB06014L	390
	27	PREMB06027L	600
100	16	PREMB10016L	510
	27	PREMB10027L	600
	16	-	-
150	27	-	-
	15.5	-	-
	26.5	-	-
	15.5	PREMB15016L	570
200	26.5	PREMB15027L	708
	15.5	-	-
	26.5	-	-

(PR-Series not available in Canada. Contact Enerpac.)

POW'R-RISER Lifting Jack



SUP-R-STACK™ Extensions

Increase useful height from 5" to 18".

Model No.	Size (in)	Model No.	Size (in)
PRE5	5	PRE11	11
PRE7	7	PRE14	14
PRE9	9	PRE18	18
PRES6024	Extension set includes PRE5, PRE7, PRE11 and PRE18		



Spacers

Fine tune your Extension stack height.

Model No.	Size (in)	Model No.	Size (in)
PRS1	1	PRS3	3
PRS2	2	-	-
PRS4	Set includes (2) PRS1, (1) PRS2 and (1) PRS3		

PR Series



Rated Lifting Capacity:

60-200 tons

Stroke:

14-27 inches

Maximum Operating Pressure:

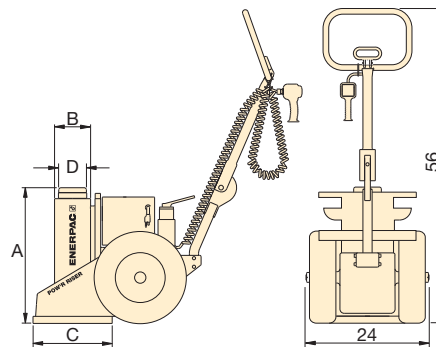
10,000 psi

Cap. (ton)	Swivel Load Cap	Locking U-Rings					Set Model Number	Locking U-Ring Sets Include			
		1 in.	3 in.	4 1/4 in.	5 1/2 in.	10 in.		Quantity & model numbers			
60	PRTS60	PRU11	PRU13	PRU14	-	PRU110	1) PRUS126	PRU11	PRU13	PRU14	-
							2) PRUS137	PRU11	PRU13	PRU14	PRU110
100	PRTS60	PRU11	PRU13	PRU14	-	PRU110	1) PRUS126	PRU11	PRU13	PRU14	-
							2) PRUS137	PRU11	PRU13	PRU14	PRU110
150	PRTS150	PRU151	PRU153	-	PRU155	PRU1510	3) PRUS1526	PRU151	PRU153	PRU155	-
							2) PRUS1537	PRU151	PRU1510	PRU155	-
200	PRTS200	PRU201	PRU203	-	PRU205	PRU2010	3) PRUS2026	PRU201	PRU203	PRU205	-
							2) PRUS2037	PRU201	PRU2010	PRU205	-

¹⁾ For 14 and 16" stroke models

²⁾ For 27" stroke models

³⁾ For 15.5" stroke models



Dimensions shown in inches.



Locking U-Rings

For safe mechanical cribbing of a lifted load, accessory Locking U-Rings can be placed around an

extended piston. Locking U-Rings come in four lengths for each POW'R-RISER® Lifting Jack capacity, and are available individually or in sets. Locking U-Rings are accommodated by storage racks integral to the POW'R-RISER® Lifting Jack.



WARNING!

Extensions: Any two Extensions may be stacked for loads up to 60 tons. For loads over 60 tons or strokes over 14" only one Extension and one Spacer can be used.

Spacers: Never exceed 3" in total Spacer height.

Air Pump	Weight (lbs)	A	B	C	D	Max. Additional Stack Height Using Optional Ext. System (in)	Valve Type
PRAMA06014L	390	24	6.4	14	4	32*	Manual
PRAMA06027L	600	37	6.4	14	4	11	
PRAMA10016L	510	26	7.0	18	4	21**	Pneumatic
PRAMA10027L	600	37	7.0	18	4	11	
PRASA10016L	510	26	7.0	18	4	21**	
PRASA10027L	600	37	7.0	18	4	11	
PRASA15016L	570	26	8.0	18	5	21**	
PRASA15027L	708	37	8.0	18	5	11	
-	-	26	8.0	18	5	21**	Manual
-	-	37	8.0	18	5	11	
PRASA20016L	640	26	9.5	18	6	21**	Pneumatic
PRASA20027L	825	37	9.5	18	6	11	

* Based on one 18" and one 11" Extension and one 3" Spacer.

** Based on one 18" Extension and one 3" Spacer.

For power source, the following characters should be inserted in the 5th space of the model number.

Ordering Example:

Model No. PREMI06014L is a 14" stroke, 60 ton model, with a manual valve and a 208-240 VAC, 1-ph electric motor.

- A Air Pump, 50 scfm, 80 psi
- B 115 VAC, 1-ph., 50-60 Hz, 20 A
- E 208-240 VAC, 1-ph., 50-60 Hz, Euro Plug, 10 A
- I 208-240 VAC, 1-ph., 50-60 Hz, USA Plug, 10 A
- G ¹/₂208-240 VAC, 3-ph., 50-60 Hz
- W ¹/₃380-415 VAC, 3-ph., 50-60 Hz
- J ¹/₄440-480 VAC, 3-ph., 50-60 Hz
- R ¹/₅75 VAC, 3-ph., 50-60 Hz

¹⁾ Not available for 60-ton capacity

Rail Maintenance Equipment



ENERPAC

The Industrial Tools Line

Cylinders

- General Purpose
- Pancake
- Aluminum Lightweight
- Low Height
- Heavy Duty
- Hollow Plunger
- Industrial
- Pull
- Long Stroke
- Jacks
- Spread

Pumps

- Manual
- Electric Driven
- Compressed Air Driven
- Petrol Driven

System Components

- Hoses, Couplers, Oil
- Gauges, Adaptors
- Manifolds, Fittings

Valves

- 3- and 4-Way Directional
- Pressure and Flow Control

Presses

- Bench and Workshop
- Roll Frame Presses
- Arbor and C-Clamps

Pullers

- Master Pullers Sets
- Multi Purpose Puller Sets
- Posi Lock® Pullers

Tools

- Maintenance Sets
- Punches
- Machine Lifts
- Load Skates
- Cutters
- Pipe Benders

Bolting Tools

- Nut Splitters
- Flange/Wedge Spreaders
- Flange Alignment Tools
- Torque Wrenches
- Hydraulic Wrench Pumps
- Twin Safety Hoses

Integrated Hydraulic Solutions

- Stage Lift Systems
- Synchronous Lifting Systems
- Synchronous Hoisting Systems

Enerpac Worldwide Locations

Africa

ENERPAC Middle East FZE
Office 423, JAFZA 15
P.O. Box 18004
Jebel Ali, Dubai
United Arab Emirates
Tel: +971 (0)4 8872686
Fax: +971 (0)4 8872687

Australia, New Zealand

Actuant Australia Ltd.
Block V Unit 3
Regents Park Estate
391 Park Road
Regents Park NSW 2143
(P.O. Box 261) Australia
Tel: +61 297 438 988
Fax: +61 297 438 648

Brazil

Power Packer do Brasil Ltda.
Rua dos Inocentes, 587
04764-050 - Sao Paulo (SP)
Tel: +55 11 5687 2211
Fax: +55 11 5686 5583
Toll Free: 0800 891 5770
vendasbrasil@enerpac.com

Canada

Actuant Canada Corporation
6615 Ordan Drive, Unit 14-15
Mississauga, Ontario L5T 1X2
Tel: +1 905 564 5749
Fax: +1 905 564 0305
Toll Free:
Tel: +1 800 268 4987
Fax: +1 800 461 2456
Technical Inquiries:
techservices@enerpac.com

China

Actuant Industries Co., Ltd.
No. 6 East Nanjing Road
TaicangEconomic Dep Zone,
Jiangsu, China
Tel: +86 0512 5328 7529
+86 0512 5328 7500 7529
Fax: +86 0512 5335 9690

Actuant China Ltd. (Peking)

709B Diyang Building
Xin No. 2
Dong San Huan North Rd.
Beijing City, 100028 China
Tel: +86 10 845 36166
Fax: +86 10 845 36220

Japan

Applied Power Japan LTD KK
Besshocho 85-7
Kita-ku, Saitama-shi 331-0821
Japan
Tel: +81 48 662 4911
Fax: +81 48 662 4955

France and Switzerland

ENERPAC Une division de ACTUANT
France S.A.
ZA de Courtaboeuf
32, avenue de la Baltique
91140 VILLEBON /YVETTE
France
Tel: +33 1 60 13 68 68
Fax: +33 1 69 20 37 50

Germany, Austria, Greece, Baltic States, Central and Eastern Europe

ENERPAC GmbH
P.O. Box 300113
D-40401 Düsseldorf
Willstätterstrasse 13
D-40549 Düsseldorf Germany
Tel: +49 211 471 490
Fax: +49 211 471 49 28

India

ENERPAC Hydraulics Pvt. Ltd.
No. 1A, Peenya Industrial Area,
IInd Phase, Bangalore, 560 058
India
Tel: +91 80 40 792 777
Fax: +91 80 40 792 792

Italy

ENERPAC S.p.A.
Via Canova 4
20094 Corsico (Milano)
Tel: +39 02 4861 111
Fax: +39 02 4860 1288

Middle East, Turkey and Caspian Sea

ENERPAC Middle East FZE
Office 423, JAFZA 15
P.O. Box 18004
Jebel Ali, Dubai
United Arab Emirates
Tel: +971 (0)4 8872686
Fax: +971 (0)4 8872687

Russia and CIS

(excl. Caspian Sea Countries)
Actuant LLC
Admiral Makarov Street 8
125212 Moscow
Russia
Tel: +7-495-9809091
Fax: +7-495-9809092

Singapore

Actuant Asia Pte Ltd.
37C, Benoi Road Pioneer Lot,
Singapore 627796
Tel: +65 68 63 0611
Fax: +65 64 84 5669
Toll Free:
Tel: +1800 363 7722
Technical Inquiries:
techsupport@enerpac.com.sg

South Korea

Actuant Korea Ltd.
3Ba 717, Shihwa Industr. Complex
Jungwong-Dong, Shihung-Shi,
Kyunggi-Do
Republic of Korea 429-450
Tel: +82 31 434 4506
Fax: +82 31 434 4507

Spain and Portugal

ENERPAC SPAIN, S.L.
Avda. Los Frailes 40 - Nave C & D
Pol. Ind. Los Frailes
28814 DAGANZO DE ARRIBA
(Madrid) Spain
Tel: +34 91 884 86 06
Fax: +34 91 884 86 11

Sweden, Denmark, Norway, Finland and Iceland

Enerpac Scandinavia AB
Fabriksgatan 7
412 50 Gothenburg
Sweden
Tel: +46 (0) 31 7990281
Fax: +46 (0) 31 7990010
Inquiries:
Scandinavianinquiries@enerpac.com

The Netherlands, Belgium, Luxembourg

ENERPAC B.V.
Galvanistraat 115, 6716 AE Ede
P.O. Box 8097, 6710 AB Ede
The Netherlands
Tel: +31 318 535 911
Fax: +31 318 525 613
+31 318 535 848
Technical Inquiries Europe:
techsupport.europe@enerpac.com

ENERPAC

Daalakkerweg 24
6041 BL Roermond
P.O. Box 49, 6040 AA, Roermond
The Netherlands
Tel: +31 475 355 000
Fax: +31 475 331 774

United Kingdom and Ireland

ENERPAC Ltd.,
Bentley Road South
Darlaston, West Midlands
WS10 8LQ, England
Tel: +44 (0)121 50 50 787
Fax: +44 (0)121 50 50 799

USA, Latin America and Caribbean

ENERPAC
P.O. Box 3241
6100 N. Baker Road
Milwaukee, WI 53209 USA
Tel: +1 262 781 6600
Fax: +1 262 783 9562
User inquiries:
+1 800 433 2766
Distributor inquiries/orders:
+1 800 558 0530
Technical Inquiries:
techservices@enerpac.com
ENERPAC
704 W. Simonds
Dallas, TX 75159, USA
Tel: +1 972 287 2390
Fax: +1 972 287 4469

093009

Your Enerpac Distributor:

e-mail: info@enerpac.com
Internet: www.enerpac.com